



Satellite® Vise

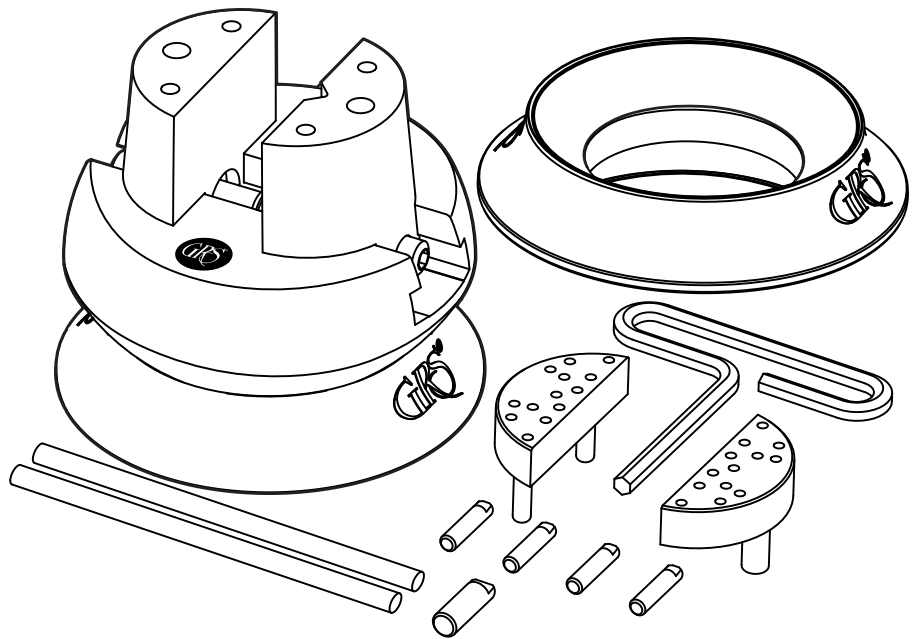
INSTRUCTIONS • #003-784

The GRS Satellite® Vise will provide many years of trouble-free service. It is extremely rugged in construction, yet is relatively simple and easy to maintain. Required lubrication is minimal.

The jaw adapter plates are drilled to accept engraving block attachments. GRS offers an attachment set (#003-520) that includes storage for the adapter plates and pins that come with the block.

Maintenance

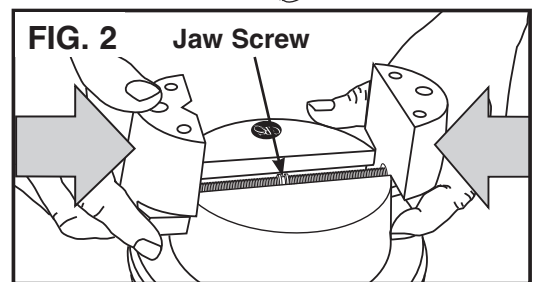
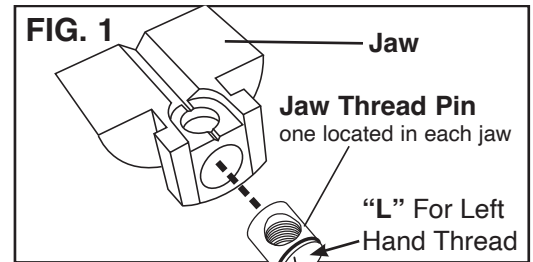
Based on usage, open jaws fully and clean the dirt and metal pieces from the threads. After cleaning, apply a small amount of light oil to the threads.



Vise Jaw Thread Replacement • #003-627 & #003-628

Overtightening the jaws will cause wear and damage to the threads. If jaws become loose, replace with kit #003-627. Remove the jaws by opening them as wide as possible until they come off the end of the jaw screw (**FIG. 1**). The jaw thread pin is located on the underside of each jaw. NOTE: Before removing pins, locate the one with the "L". This is the left hand thread pin and will need to be replaced with the same. Apply a small amount of synthetic grease (included in kit) to the O-rings and jaw screw before installing them. Lift the jaw screw out of the yoke and replace it. Note which side the left hand thread is on. Grease the threads and yoke well.

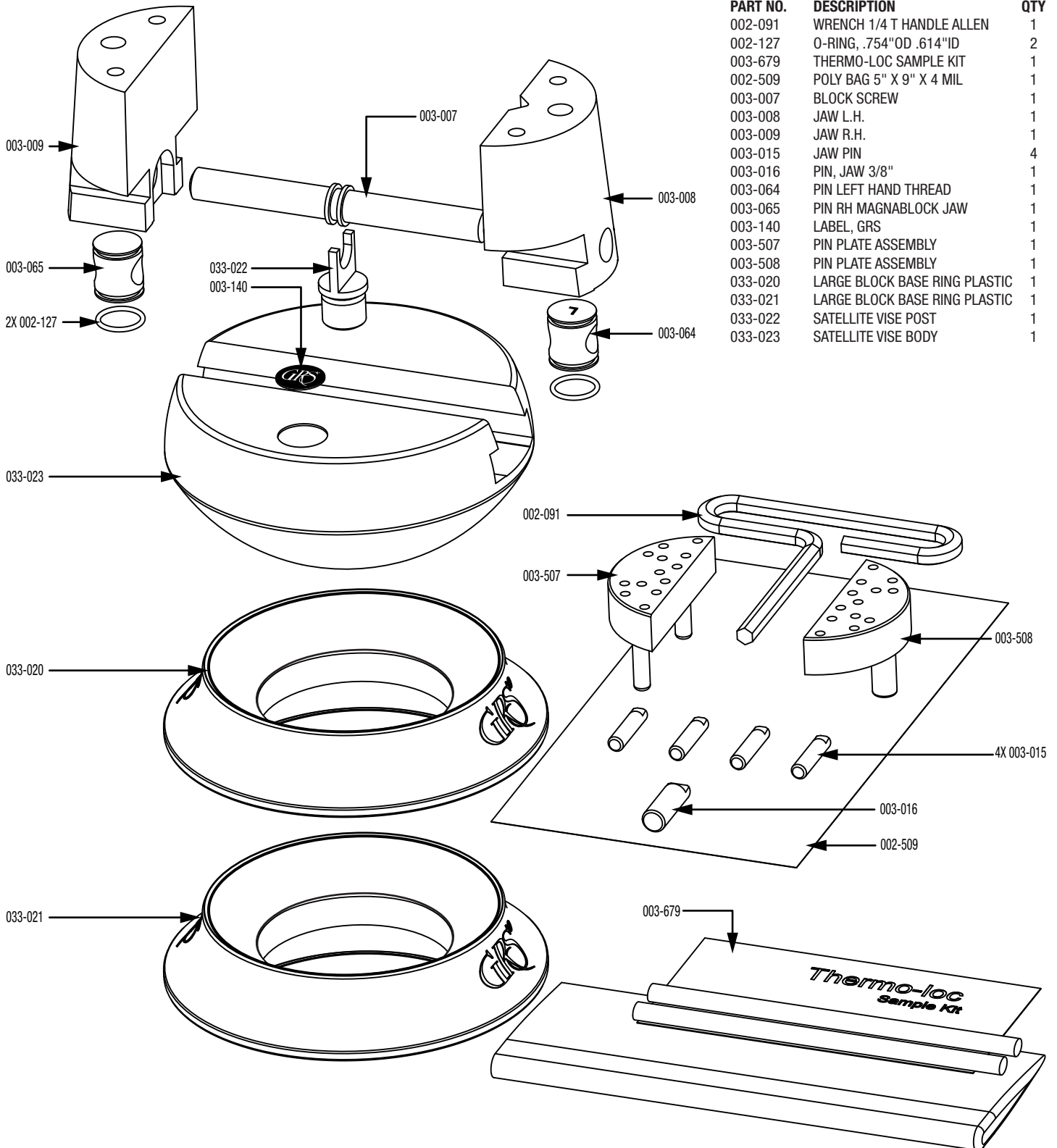
Start the jaw threads at the same time when replacing them (**FIG. 2**). Hold each jaw in position and turn the jaw screw to close them. Either a large rubber band or a second person is useful to hold the jaws against the thread while the jaw screw is turned. If the jaws don't meet at the same time in the center, remove them and try starting the threads at the same time again.





Satellite® Vise

PARTS LIST • #003-784



PART NO.	DESCRIPTION	QTY
002-091	WRENCH 1/4 T HANDLE ALLEN	1
002-127	O-RING, .754"OD .614"ID	2
003-679	THERMO-LOC SAMPLE KIT	1
002-509	POLY BAG 5" X 9" X 4 MIL	1
003-007	BLOCK SCREW	1
003-008	JAW L.H.	1
003-009	JAW R.H.	1
003-015	JAW PIN	4
003-016	PIN, JAW 3/8"	1
003-064	PIN LEFT HAND THREAD	1
003-065	PIN RH MAGNABLOCK JAW	1
003-140	LABEL, GRS	1
003-507	PIN PLATE ASSEMBLY	1
003-508	PIN PLATE ASSEMBLY	1
033-020	LARGE BLOCK BASE RING PLASTIC	1
033-021	LARGE BLOCK BASE RING PLASTIC	1
033-022	SATELLITE VISE POST	1
033-023	SATELLITE VISE BODY	1

GLENDO LLC 900 Overlander Road • Emporia, KS 66801 USA
 800-835-3519 • 620-343-1084 • 620-343-9640
 hello@grs.com • www.grs.com
 Last Updated: 2023-01-19